

January 31, 2026

Attention: Tanya Francis
TECHNICAL STANDARDS & SAFETY AUTHORITY
345 CARLINGVIEW DRIVE
TORONTO, ON M9W 6N9

The design submission, Tracking Number 2025-08165, Web Portal Number 2025-S6595, originally received on December 19, 2025 was surveyed and accepted for registration as follows:

CRN : 0C26278.52 **Accepted on:** January 31, 2026
Reg Type: NEW DESIGN **Expiry Date:** November 26, 2035

Document No. Attachment A (Manufacturing Locations) & Attachment B Dated 10-03-2025

Fitting type: Diaphragm Valves

Design registered in the name of : SWAGELOK COMPANY

The registration is conditional on your compliance with the following notes:

- As per your email dated on 2026-01-21, MDMT of this design is -73°C (-100°F).

As indicated on AB-41 Statutory Declaration or AB-351 Declaration of Conformity form and submitted documentation, the code of construction are ASME B31.3 and ASME B31.1.

- It is our understanding that the fitting(s), included as the scope of this submission, that is(are) subject to the Safety Codes Act shall comply with the requirements of the indicated Standard or Code of Construction on the AB-41 Statutory Declaration or AB-351 Declaration of Conformity as supported by the attached data which identifies the dimensions, materials of construction, press./temp. ratings and the basis for such ratings, and the identification marking of the fittings.

- This registration is valid only for fittings fabricated at the location(s) covered by the QC certificate attached to the accepted AB-41 Statutory Declaration or AB-351 Declaration of Conformity form.

- This registration is valid only until the indicated expiry date and only if the Manufacturer maintains a valid quality management system approved by an acceptable third-party agency, and maintains a valid Certification of Authorization Permit if required by the jurisdiction where manufacturing takes place, until that date.

- Should the approval of the quality management system lapse before the expiry date indicated above, this registration shall become void.

An invoice covering survey and registration fees will be forwarded from our Revenue Accounts.

If you have any questions don't hesitate to contact me by phone at (587) 943-8749 or fax (403) 291-4545 or e-mail Gao@absa.ca.

Sincerely,



GAO, XINGWEI (WAYNE), P. Eng.
DOP Cert. No. D00011234



Technical Standards and Safety Authority
 345 Carlingview Drive
 Toronto, Ontario M9W 6N9
 www.tssa.org

Show facsimile of manufacturer's logo or trademark, as it will appear on the fitting, in the space below

Swagelok®

STATUTORY DECLARATION Registration of Fittings

I, James Nordholt, Vice President of Engineering
(Name and Position, e.g. President, Plant Manager, Chief Engineer)

of Swagelok Company
(Name of Manufacturer)

Located at 29500 Solon Road, Solon, Ohio 44139 USA (440) 248-4600 (440) 349-5970
(Plant Address) (Telephone No.) (Fax No.)

do solemnly declare that the fittings listed hereunder, which are subject to the **Technical Standards and Safety Act**, Boilers and Pressure Vessels Regulation, comply with all of the requirements of ASME B31.1 for unlisted components, and ASME B31.3 for unlisted components
(Title of recognized North American Standard)

which specifies the dimensions, materials of construction, pressure/temperature ratings, identification marking the fittings and service;

or are not covered by the provisions of a recognized North American standard and are therefore manufactured to comply with _____ as supported by the attached data which identifies the dimensions, material of construction, pressure/temperature ratings and the basis for such ratings, the marking of the fitting for identification and service.

I further declare that the manufacture of these fittings is controlled by a quality system meeting the requirements of ISO 9001:2015 which has been verified by the following authority, BSI

The items covered by this declaration, for which I seek registration, are category C type fittings. In support of this application, the following information and/or test data are attached as follows:
ISO:2015 Certificate, Attachment A, Attachment B, Catalog MS-01-73, and other Support Documents
(drawings, calculations, test reports, etc.)

Declared before me at SOLON in the STATE of OHIO

the 20 day of OCTOBER AD 2025

Commissioner for Oaths:

JEFFREY C TRUMBULL
(Printed name)

[Signature]
(Signature)



JEFFREY C TRUMBULL
 Notary Public
 State of Ohio
 My Comm. Expires
 April 15, 2030

[Signature]
(Signature of Declarer)

FOR OFFICE USE ONLY

To the best of my knowledge and belief, the application meets the requirements of the **Technical Standards and Safety Act**, Boilers and Pressure Vessels Regulation, and CSA Standard B51 and is accepted for registration in Category _____.

CRN: _____

Registered by: _____

Dated: _____

2025-08165

ABSA

SAFETY CODES ACT - PROVINCE OF ALBERTA

ACCEPTED: 0C26278.52

See acceptance letter for conditions of registration.

Date: 2026-01-31 By: Wayne Stao

XINGWEI (WAYNE) GAO, P. Eng.
 DOP: D00011234

This stamp and signature have been affixed electronically to this registered design as required by Section 20(1) of the Pressure Equipment Safety Regulation, in accordance with the Electronic Transactions Act.

NOTE: This registration expires on: November 26, 2035

**Information provided in this application is releasable under the Freedom of Information and Privacy Protection Act and may be disclosed upon request.*

Attachment B: Scope of CRN Registration for Swagelok Diaphragm, DL & DS Series Valves (Category C)

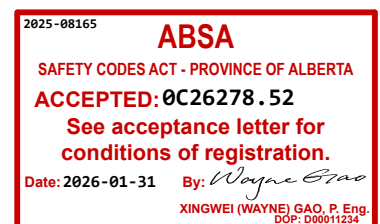
Product Scope

This document represents the scope of Diaphragm, DL / DS Series Valves covered by this submission for CRN approval. These Diaphragm, DL / DS Series Valves have been evaluated in accordance with ASME B31.1 and B31.3 for unlisted components.

Table 1 – Summary Table

Product Series	Main Pressure Bearing Component	Main Pressure Bearing Material	Port Connections and Sizes	Maximum Allowable Working Pressure		Design Code of Construction
				@100°F	At Max. Temp.	
DS (*see below)	Body, Bonnet Nut, Bonnet	316LV SS (ASTM A479)	Tube Butt Welds 1/4", 3/8" Tube Socket & Tube Butt Welds 1/4" & 3/8", 3/8" & 1/2" Swagelok Tube Fittings 1/4",	3500 psig	2800 psig@250°F	ASME B31.1 (Unlisted Components) and ASME B31.3 (Unlisted Components)
		316/316L SS Dual Certified (ASTM A479)	3/8", 6 mm, 8 mm Female VCR 1/4" Female to Male VCR 1/4" Male to Female VCR 1/4"	3500 psig	2800 psig@250°F	
		316/316L SS Dual Certified (ASTM A479)	VCO O-Ring Fitting 1/4" Male VCR Fitting 1/4"	3500 psig	2800 psig@250°F	
DL (*see below)	Body, Bonnet Nut, Bonnet	316LV SS (ASTM A479)	Tube Butt Welds 1/4", 3/8" Tube Socket & Tube Butt Welds 1/4" & 3/8", 3/8" & 1/2" Swagelok Tube Fittings 1/4",	3500 psig	2800 psig@250°F	ASME B31.1 (Unlisted Components) and ASME B31.3 (Unlisted Components)
		316/316L SS Dual Certified (ASTM A479)	3/8", 6 mm, 8 mm Female VCR 1/4" Female to Male VCR 1/4" Male to Female VCR 1/4"	3500 psig	2800 psig@250°F	
		316/316L SS Dual Certified (ASTM A479)	VCO O-Ring Fitting 1/4" Male VCR Fitting 1/4"	3500 psig	2800 psig@250°F	

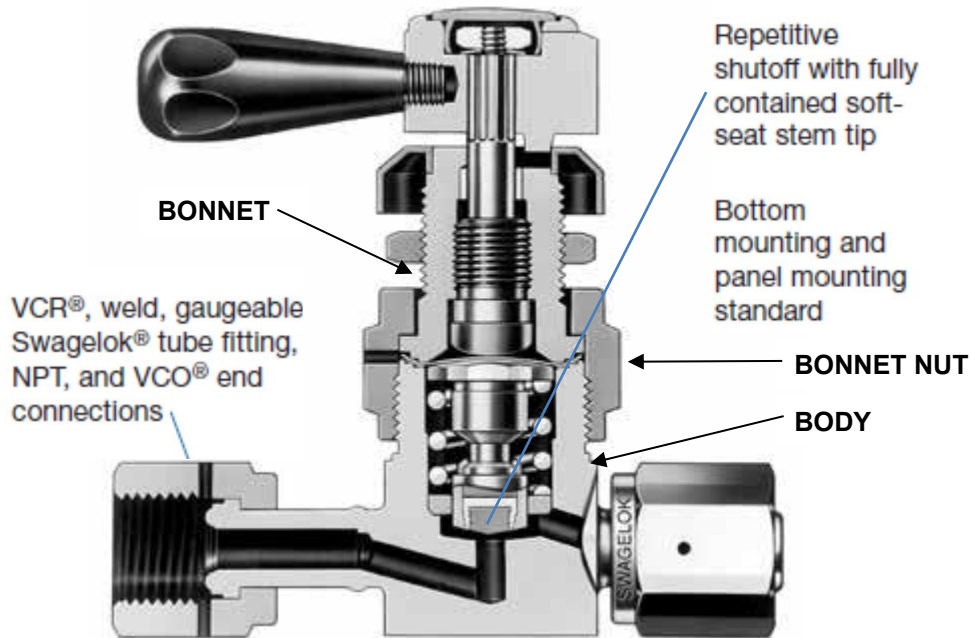
* Mode of operation: hand operated and hand actuated (all materials).



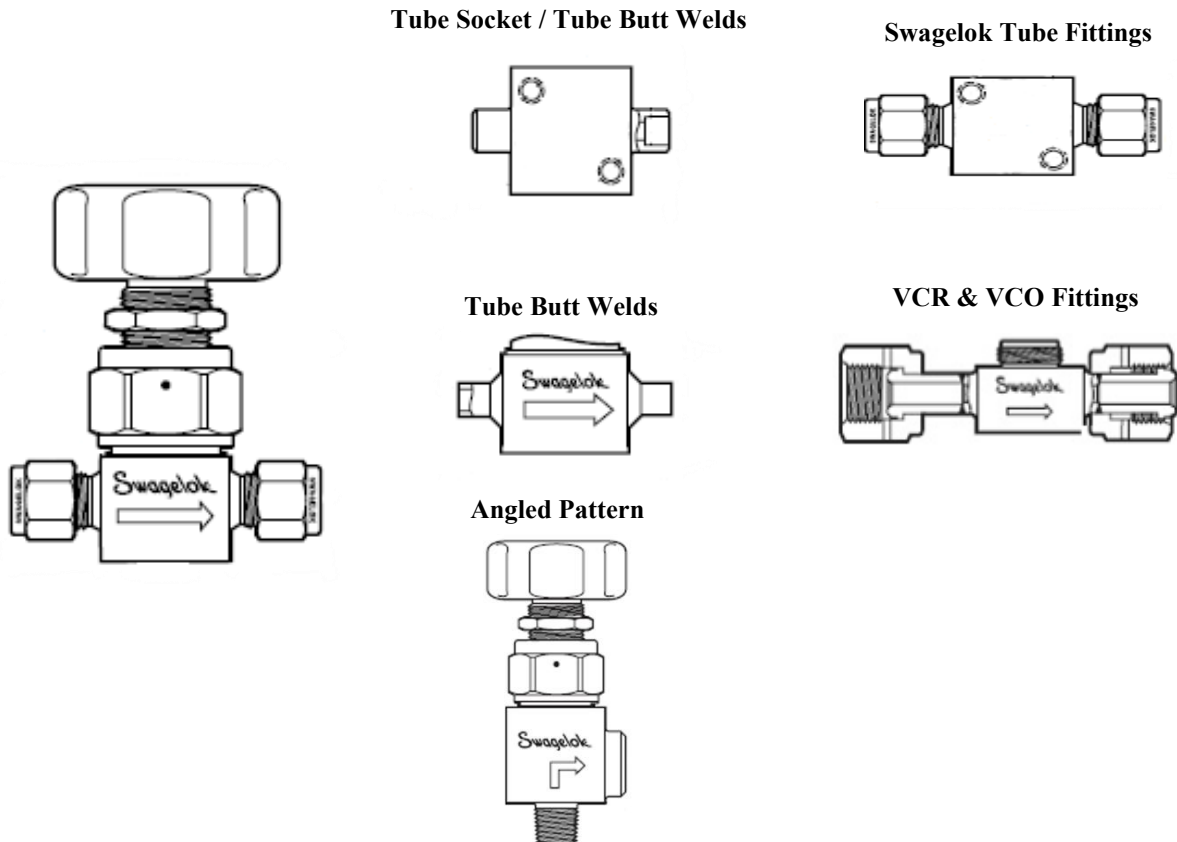
This stamp and signature have been affixed electronically to this registered design as required by Section 20(1) of the Pressure Equipment Safety Regulation, in accordance with the Electronic Transactions Act.

Product Description

All DS/DL Series Diaphragm Valves have the same features as shown below.



Configurations



Product Options:

Additional options and non-pressure boundary alterations that do not affect pressure-temperature ratings may be made available within the scope of this registration. Examples of these would include, but not be limited to, handle options, indicators, actuators, stem tips, etc.

Quality System

The Swagelok Company quality system complies with the requirements of ISO 9001:2015. The Swagelok Company maintains British Standards Institution Certificate of Registration Number FM 01729, which applies to all locations listed on the Certificate.

References

The product catalog does not represent the full scope of the registration but rather details some of the most common options.

- Diaphragm Valves, DS and DL Series Catalog – MS-01-73, Rev. O